

Adapter

Features:

- Low insertion loss
- Low back reflection loss
- Easy to handle
- Environmentally stable

Applications:

- Telecommunications
- Local area network
- Fiber to the home
- Fiber optic sensors
- Testing instruments
- CATV



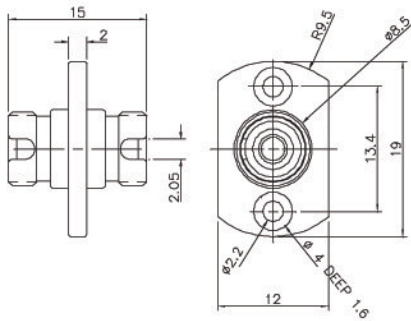
Performance Specifications:

ITEM	Adaptors		
	Ceramic	Bronze	
		Singlemode	Multimode
Sleeve Material			
Typical Insertion Loss, dB	0.1	0.1	0.3
Operating Temperature, °C	-40 ~ +75		
Storage Temperature, °C	-55 ~ +85		

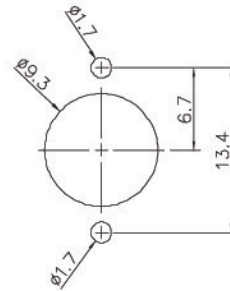
ADAPTORS

Mechanical Drawings:

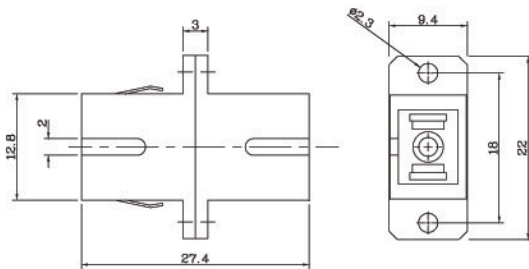
Unit: mm



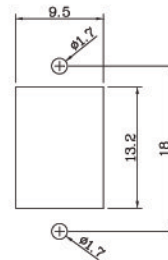
FC/APC



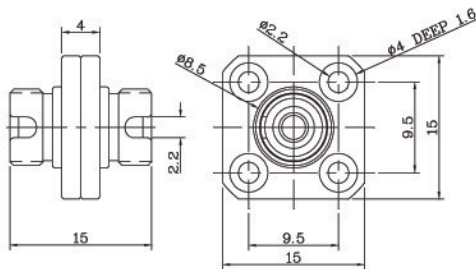
Recommended Panel Cutout



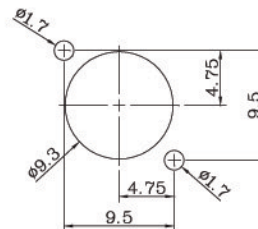
SC/APC



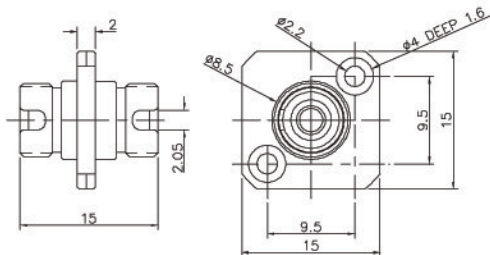
Recommended Panel Cutout



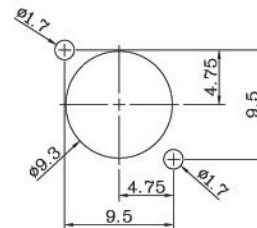
FC



Recommended Panel Cutout



One piece FC/APC

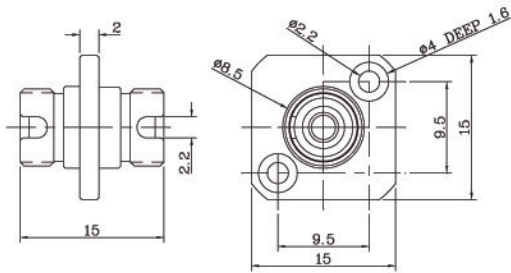


Recommended Panel Cutout

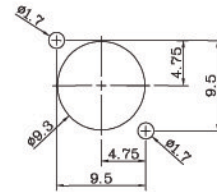
ADAPTORS

Mechanical Drawings:

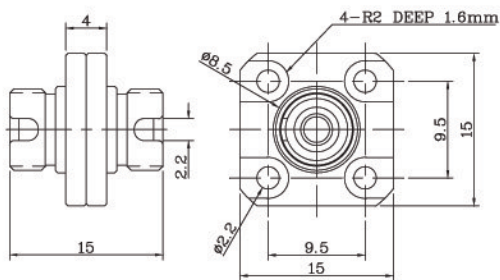
Unit: mm



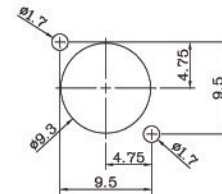
One piece FC



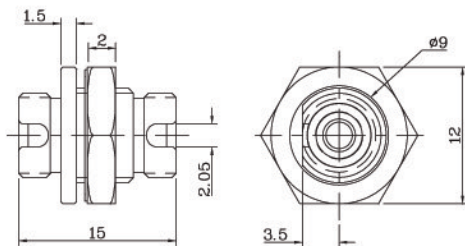
Recommended Panel Cutout



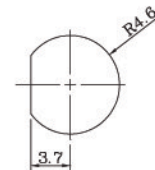
Die-cast FC



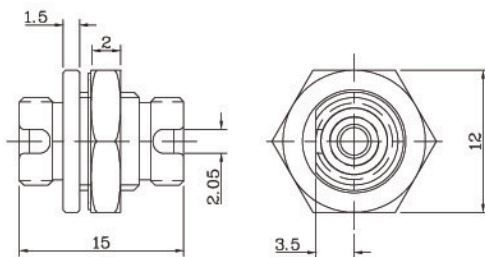
Recommended Panel Cutout



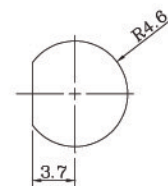
D-hole FC/APC



Recommended Panel Cutout



D-hole FC

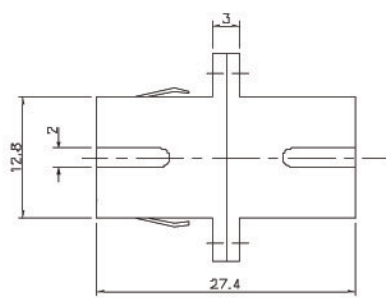


Recommended Panel Cutout

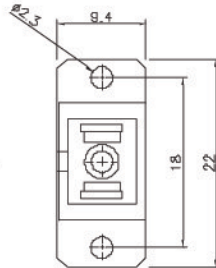
ADAPTORS

Mechanical Drawings:

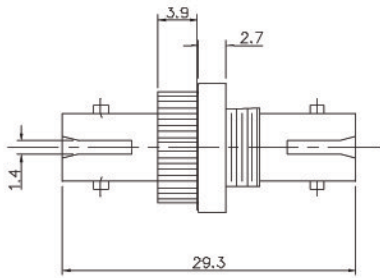
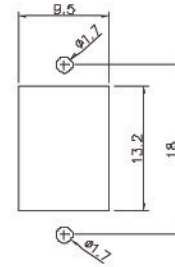
Unit: mm



SC



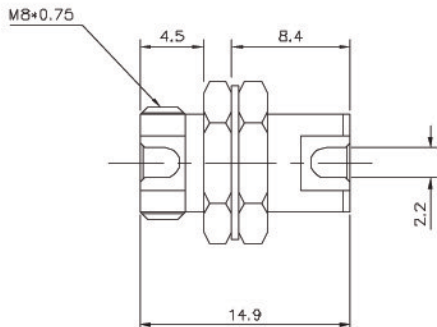
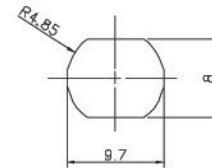
Recommended Panel Cutout



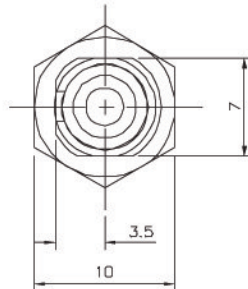
ST



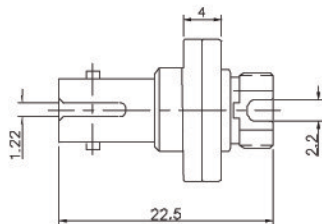
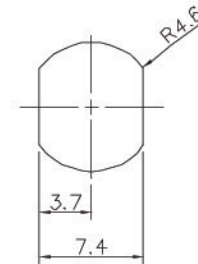
Recommended Panel Cutout



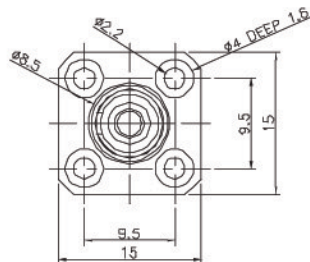
Miniature Double D-hole FC



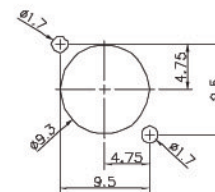
Recommended Panel Cutout



FC-SC



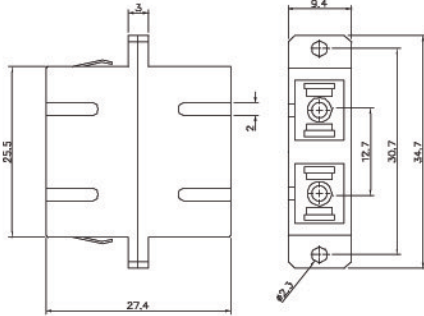
Recommended Panel Cutout



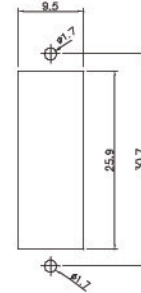
ADAPTORS

Mechanical Drawings:

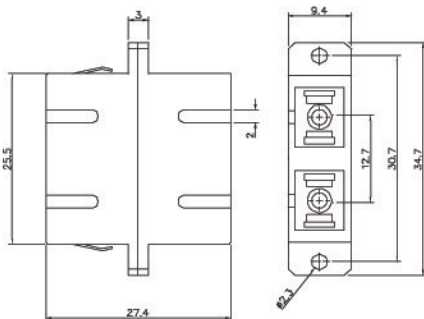
Unit: mm



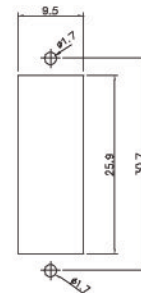
SC/APC Duplex



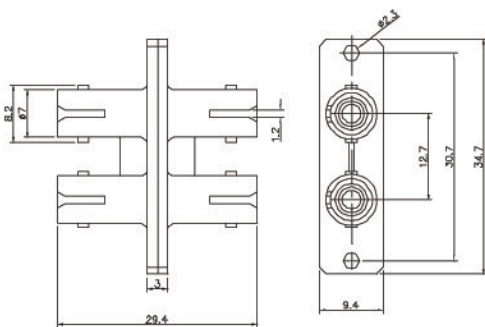
Recommended Panel Cutout



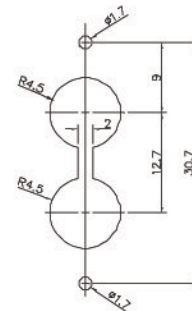
SC Duplex



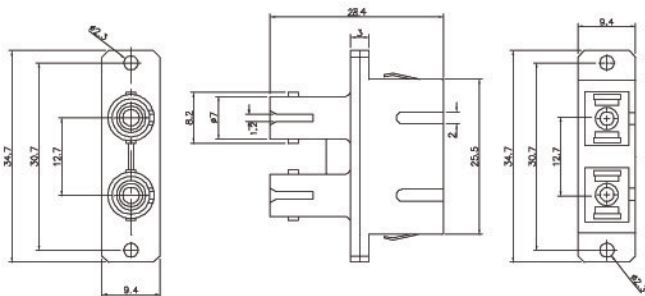
Recommended Panel Cutout



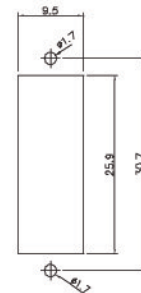
ST Duplex



Recommended Panel Cutout



SC-ST Duplex

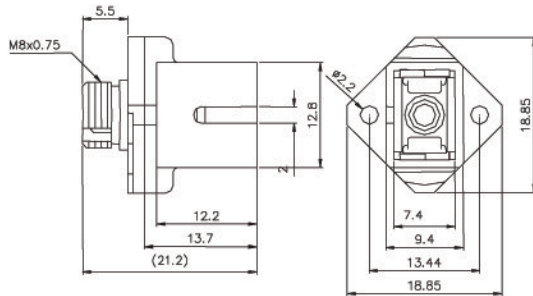


Recommended Panel Cutout

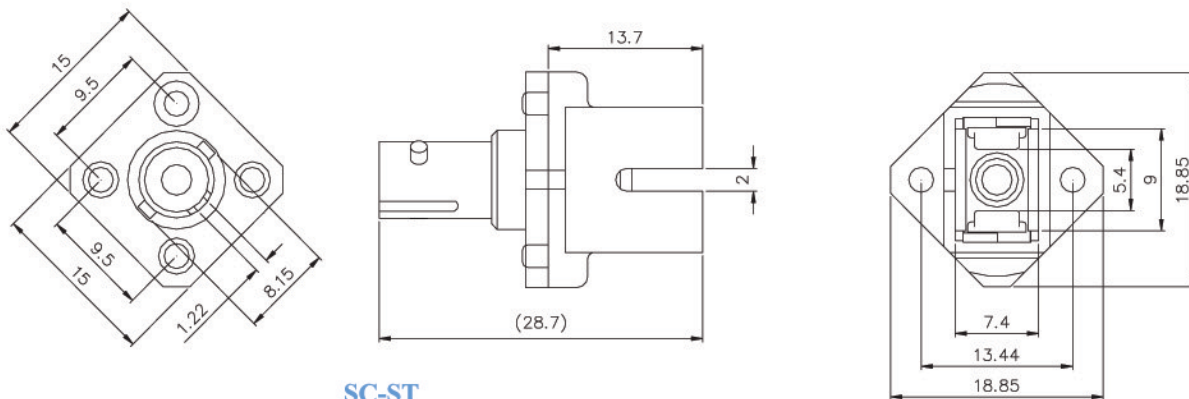
ADAPTORS

Mechanical Drawings:

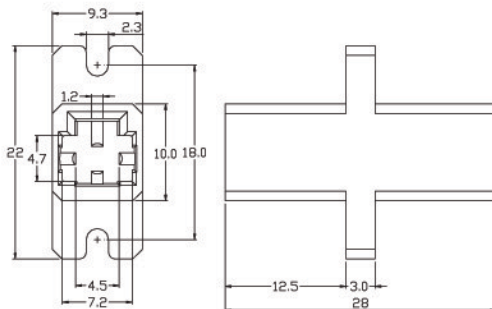
Unit: mm



FC-SC



SC-ST



MTRJ